

Item No	Type	Sub	Part No.	Description	Qty	Unit
1	1		0736289980	CAUTION LABEL	1	PC.
	2		810451-7	CAUTION LABEL	1	PC.
2	1		6659500200	PROTECTOR LABEL	1	PC.
	2		808139-1	MODEL NO.LABEL (Use Type1 until it become unavailable)	1	PC.
3	1		6609513200	CAUTION LABEL - N/L/A	1	PC.
	2		810450-9	CAUTION LABEL	1	PC.
4	1		6655500000	GRIP	1	PC.
	2		273665-3	GRIP	1	PC.
5	1		6655001000	SWITCH COMPL	1	PC.
	2		638640-0	SWITCH COMPLETE	1	PC.
6	1		6651500500	FRICTION PUBBER	1	PC.
	2		424182-8	FRICTION RUBBER	1	PC.
7	1		6651014000	VOLUTE CASE 2 COMPL	1	PC.
	2		450958-7	VOLUTE CASE R	1	PC.
8	1		0630029730	CONTROL CABLE - N/L/A	1	PC.
	2		168518-8	CONTROL CABLE	1	PC.
9	1		6655500300	THROTTLE LEVER - N/L/A	1	PC.
	2		6655500301	THROTTLE LEVER	1	PC.
	3		450960-0	THROTTLE LEVER	1	PC.
10	1		0043605300	SCREW ASS'Y	3	PC.
	2		911253-5	PAN HEAD SCREW M5X30	3	PC.
11	1		6651003000	IMPELLER COMPL	1	PC.
	2		240113-7	FAN 180	1	PC.
12	1		004-36062-00	SCREW M6X20	2	PC.
	2		265584-7	HEX SOCKET HEAD BOLT M6x20 WR	2	PC.
13	1		6651010000	VOLUTE CASE 1 ASSY	1	PC.
		INC.		Item No.14-16		
	2		125533-5	VOLUTE CASE L ASSY	1	PC.
		INC.		Item No.14-16		
14	1		6655500100	CRUISE LEVER	1	PC.
	2		452216-7	CRUISE LEVER	1	PC.
15	1		6655500200	SPRING	1	PC.
	2		234314-7	SPRING	1	PC.
16	1		0150049840	TAPPING SCREW 4X16	1	PC.
	2		266870-9	TAPPING SCREW 4X16	1	PC.
17	1		0150059760	TAPPING SCREW 5X16	10	PC.
	2		265878-0	TAPPING SCREW BT 5X16	10	PC.
18	1		6601503400	OUTER SNAPRING	1	PC.
	2		257958-6	RETAINING RING S-3.5 - N/A	1	PC.
	3		213022-3	O RING 3	1	PC.
19	1		6601502702	PROTECTOR - N/L/A	1	PC.
	2		6601502704	PROTECTOR	1	PC.
	3		6601502705	PROTECTOR	1	PC.
20	1		6601503500	RUBBER WASHER	1	PC.
	2		424180-2	GASKET	1	PC.
21	1		6601503201	SCREW	1	PC.
	2		265782-3	THUMB SCREW M4	1	PC.
22	1		0150059760	TAPPING SCREW 5X16	1	PC.
	2		265878-0	TAPPING SCREW BT 5X16	1	PC.
23	1		0031205003	WASHER	1	PC.
	2		267394-8	FLAT WASHER 5	1	PC.
24	1		6601503001	SPRING	1	PC.
	2		233536-6	TORSION SPRING 5	1	PC.
25	1		6601503100	SHAFT	1	PC.
	2		268230-1	ROD 4	1	PC.
26	1		0150059760	TAPPING SCREW 5X16	3	PC.
	2		265878-0	TAPPING SCREW BT 5X16	3	PC.

Item No	Type	Sub	Part No.	Description	Qty	Unit
27	1		6656500100	PLUG COVER	1	PC.
	2		450964-2	PLUG COVER	1	PC.
28	1		5926501600	OIL GUARD	1	PC.
	2		424181-0	OIL GUARD	1	PC.
29	1		5926017000	FUEL TANK CAP ASSY	1	PC.
	2		125472-9	FUEL TANK CAP ASSEMBLY	1	PC.
30	1		0140049770	SCREW ASSY M4X16(WSW)	2	PC.
	2		911128-8	PAN HEAD SCREW M4X16	2	PC.
31	1		6249501501	STRAP	1	PC.
	2		810455-9	CAUTION PLATE	1	PC.
32	1		0851189950	* TUBE	1	PC.
	2		158911-4	* TUBE COMPLETE - N/A	1	PC.
	3		168772-4	* TUBE COMPLETE	1	PC.
33	1		0561059990	HOSE CLAMP	1	PC.
	2		345920-4	HOSE CLAMP	1	PC.
34	1		5236503900	FILTER	1	PC.
	2		163447-0	GASOLINE FILTER	1	PC.
35	1		0150059760	TAPPING SCREW 5X16	3	PC.
	2		265878-0	TAPPING SCREW BT 5X16	3	PC.
36	1		0031005003	WASHER - N/L/A	3	PC.
	2		0031205003	WASHER - N/L/A	3	PC.
	3		267394-8	FLAT WASHER 5	3	PC.
37	1		6653500000	* FUEL TANK	1	PC.
	2		450988-8	* FUEL TANK - N/A	1	PC.
	3		450987-0	* FUEL TANK	1	PC.
	4		454006-4	* FUEL TANK	1	PC.
38	1		6656500300	ENGINE COVER	1	PC.
	2		452630-7	ENGINE COVER	1	PC.
39	1		004-36051-60	* SCREW ASS'Y M5X16 (WSW)	3	PC.
	2		0119059531	* SOCKET HEAD BOLT M5X16(WSW)	3	PC.
	3		922223-9	* H.S.H.BOLT M5X16 WITH WR	3	PC.
40	1		5921004001	ROCKER COVER COMPLETE	1	PC.
	2		140023-7	ROCKER COVER COMPLETE	1	PC.
42	1		5921500800	ROCKER COVER GASKET	1	PC.
	2		162275-0	ROCKER COVER GASKET	1	PC.
43	1		5921011000	* CYLINDER BLOCK SET	1	PC.
	2		5921011001	* CYLINDER BLOCK SET	1	PC.
	3		5921011001	* CYLINDER BLOCK SET (Remains Available)	1	PC.
	4		5921011002	* CYLINDER BLOCK SET	1	PC.
	5		125914-3	* CYLINDER BLOCK SET	1	PC.
44	1		5921501800	CHECK VALVE	2	PC.
	2		424201-0	CHECK VALVE	2	PC.
45	1		5926500300	OIL WEIGHT	1	PC.
	2		325666-8	OIL WEIGHT	1	PC.
46	1		5926500200	OIL TUBE	1	PC.
	2		424202-8	OIL TUBE	1	PC.
47	1		0561059970	HOSE CLAMP	1	PC.
	2		282020-8	HOSE CLAMP	1	PC.
48	1		0119059510	SOCKET HEAD BOLT M5X14	8	PC.
	2		922217-4	HEX. SOCKET HEAD BOLT M5X14	8	PC.
49	1		5921500700	CAMGEAR COVER GASKET	1	PC.
	2		162274-2	CAM GEAR COVER GASKET	1	PC.
50	1		5921500502	CAMGEAR COVER	1	PC.
	2		318443-5	CAM GEAR COVER	1	PC.
51	1		0043605140	* SCREW ASS'Y M5X14	3	PC.
	2		0119059510	* SOCKET HEAD BOLT M5X14	3	PC.
	3		922217-4	* HEX. SOCKET HEAD BOLT M5X14	3	PC.

Item No	Type	Sub	Part No.	Description	Qty	Unit
52	1		0240139950	O RING	1	PC.
	2		213591-4	O RING 14	1	PC.
53	1		004-36051-20	* SCREW ASS'Y M5X12	1	PC.
	2		0119059780	* SOCKET HEAD BOLT M5X12	1	PC.
	3		922213-2	* H.S.H.BOLT M5X12 WITH WR	1	PC.
54	1		5926021000	OIL PIPE COMPLETE	1	PC.
	2		140813-8	OIL PIPE COMPLETE	1	PC.
55	1		5926501700	OIL GAUGE	1	PC.
	2		452610-3	OIL GAUGE	1	PC.
56	1		0213229990	GASKET	1	PC.
	2		424343-0	GASKET	1	PC.
57	1		5926501500	OIL CAP	1	PC.
	2		452047-4	OIL CAP	1	PC.
58	1		5926500100	CASE GASKET - N/L/A	1	PC.
	2		162276-8	CASE GASKET	1	PC.
59	1		5921501000	REED VALVE	1	PC.
	2		346083-9	LEAD VALVE	1	PC.
60	1		5921501100	RETAINER PLATE	1	PC.
	2		318440-1	RETAINER PLATE	1	PC.
61	1		0119049980	SOCKET HEAD BOLT M4X10	1	PC.
	2		922112-8	HEX. SOCKET HEAD BOLT M4X10	1	PC.
62	1		5926500000	OIL CASE	1	PC.
	2		318442-7	OIL CASE	1	PC.
63	1		0043605180	SCREW ASS'Y M5X18 W/WR	4	PC.
	2		0119059510	SOCKET HEAD BOLT M5X14	4	PC.
	3		922217-4	HEX. SOCKET HEAD BOLT M5X14	4	PC.
64	1		5922004000	PISTON RING SET	1	PC.
	2		195145-8	PISTON RING SET	1	PC.
65	1		0565089970	CLIP	2	PC.
	2		233976-8	CLIP	2	PC.
66	1		5922500900	PISTON	1	PC.
	2		318441-9	PISTON	1	PC.
67	1		5232502600	PISTON PIN	1	PC.
	2		257781-9	PISTON PIN	1	PC.
68	1		0440129960	OIL SEAL (L)	1	PC.
	2		213147-3	OIL SEAL 12	1	PC.
69	1		5421500500	CLIP	1	PC.
	2		267400-9	FLAT WASHER 23	1	PC.
70	1		0323039990	WOODRUFF KEY	1	PC.
	2		254040-2	WOODRUFF KEY 3	1	PC.
71	1		5922003000	CRANK SHAFT ASS'Y	1	PC.
	2		188608-1	CRANK SHAFT ASS'Y - N/A	1	PC.
	3		135374-1	CRANK SHAFT ASS'Y	1	PC.
72	1		0440109970	OIL SEAL (S)	1	PC.
	2		213148-1	OIL SEAL 10	1	PC.
	3		213769-9	OIL SEAL 10	1	PC.
73	1		5933002000	ROCKER ARM ASS'Y	2	PC.
	2		125554-7	ROCKER ARM ASSEMBLY	2	PC.
74	1		5923500700	PUSH ROD	2	PC.
	2		256865-0	ROD 2.5	2	PC.
75	1		5923501300	SPRING RETAINER	2	PC.
	2		325668-4	SPRING RETAINER	2	PC.
76	1		5923501200	VALVE SPRING	2	PC.
	2		234108-0	COMPRESSION SPRING 9	2	PC.
77	1		5933500100	ROCKER SHAFT	1	PC.
	2		256200-2	PIN 5	1	PC.

Item No	Type	Sub	Part No.	Description	Qty	Unit
78	1		5923501500	INTAKE VALVE	1	PC.
	2		325670-7	INTAKE VALVE	1	PC.
79	1		5923501400	EXHAUST VALVE	1	PC.
	2		325669-2	EXHAUST VALVE	1	PC.
80	1		5921501400	SPACER	2	PC.
	2		424200-2	SPACER	2	PC.
81	1		5933003000	CAM GEAR ASS'Y	1	PC.
	2		125552-1	CAM GEAR ASSEMBLY	1	PC.
82	1		5923500501	CAM GEAR SHAFT	1	PC.
	2		268238-5	PIN 5	1	PC.
83	1		5923500600	CAM LIFTER SHAFT	1	PC.
	2		268239-3	PIN 4	1	PC.
84	1		5923500001	CAM LIFTER	2	PC.
	2		313169-4	CAM LIFTER	2	PC.
85	1		5925001002	STARTER COVER ASS'Y - N/L/A	1	PC.
		INC.		Item No.86-93		
	2		125917-7	STARTER COVER ASSY	1	PC.
		INC.		Item No.86-93		
86	1		5195500000	PULLEY	1	PC.
	2		168483-1	PULLEY	1	PC.
87	1		5195002060	SET SCREW	1	PC.
	2		266585-8	TAPPING SCREW 5X12	1	PC.
88	1		5195002100	SWING ARM	1	PC.
	2		325923-4	SWING ARM	1	PC.
89	1		5195002110	COLLAR	1	PC.
	2		451938-6	COLLAR	1	PC.
90	1		5925001030	REEL - N/L/A	1	PC.
	2		451937-8	REEL	1	PC.
91	1		5215002030	SPIRAL SPRING - N/L/A	1	PC.
	2		232258-5	SPIRAL SPRING	1	PC.
92	1		5225004020	HANDLE - N/L/A	1	PC.
	2		424319-7	STARTER KNOB	1	PC.
94	1		6659500300	MODEL LABEL	1	PC.
	2		819328-3	MAKITA LOGO LABEL	1	PC.
95	1		0140049770	SCREW ASSY M4X16(WSW)	2	PC.
	2		911128-8	PAN HEAD SCREW M4X16	2	PC.
96	1		5923501801	* INSULATOR GASKET (Remain available)	1	PC.
	2		5923504700	* INSULATOR GASKET	1	PC.
	3		413120-5	* INSULATOR GASKET	1	PC.
97	1		5923013000	* INSULATOR COMPL	1	PC.
	2		5923018000	* INSULATOR ASSY	1	PC.
	3		125916-9	* INSULATOR ASSY	1	PC.
98	1		0149069972	ADJUST SCREW	1	PC.
	2		325934-9	ADJUST SCREW	1	
99	1		0043605180	* SCREW ASS'Y M5X18	2	PC.
	2		0119059870	* SOCKET HEAD BOLT M5X18	2	PC.
	3		922228-9	* H.S.H.BOLT M5X18 WITH WR	2	PC.
100	1		5923501900	CARBURETOR GASKET	1	PC.
	2		413138-6	CARBURETOR GASKET	1	
101	1		0043605140	* SCREW ASS'Y M5X14	1	PC.
	2		0119059780	* SOCKET HEAD BOLT M5X12	1	PC.
	3		922213-2	* H.S.H.BOLT M5X12 WITH WR	1	PC.
102	1		5926022000	* CARBURETOR - N/L/A	1	PC.
		INC.		* Item No.103,105-119		
	2		5926022001	* CARBURETOR - N/L/A	1	PC.
		INC.		* Item No.103,105-119		
	3		168641-9	* CARBURETOR	1	PC.
		INC.		* Item No.103,105-119		

Item No	Type	Sub	Part No.	Description	Qty	Unit
103	1		5926002060	* PUMP BODY ASS'Y	1	PC.
		INC.		* Item No.104		
	2		5936025010	* BODY ASSEMBLY, PUMP - N/L/A	1	PC.
		INC.		* Item No.104		
	3		140808-1	* BODY PUMP ASSY	1	PC.
		INC.		* Item No.104		
104	1		5016004010	INLET SCREEN	1	PC.
	2		352010-6	INLET SCREEN	1	PC.
105	1		5236046040	METERING DIAPHRAGM GASKET	1	PC.
	2		442154-1	METERING DIAPHRAGM GASKET	1	PC.
106	1		5926008010	* METERING DIAPHRAGM ASS'Y	1	PC.
	2		5266009010	* METERING DIAPHRAGM ASSY	1	PC.
	3		168620-7	* METERING DIAPHRAGM	1	PC.
107	1		5236046140	AIR PURGE BODY ASS'Y	1	PC.
	2		140438-8	AIR PURGE BODY	1	PC.
108	1		5246001150	PRIMER PUMP	1	PC.
	2		424314-7	PRIMER PUMP	1	PC.
109	1		5236046050	PRIMER PUMP COVER	1	PC.
	2		346270-0	PRIMER PUMP COVER	1	PC.
110	1		5236046010	PUMP COVER SCREW	4	PC.
	2		266582-4	TAPPING SCREW 3X24	4	PC.
111	1		5206008030	PAN HEAD SCREW	2	PC.
	2		266581-6	PAN HEAD SCREW M3X8 WITH W	2	PC.
112	1		5236018040	SWIVEL	1	PC.
	2		325922-6	SWIVEL	1	PC.
113	1		5426005030	WASHER	1	PC.
	2		413140-9	WASHER	1	PC.
114	1		5316005120	RING	1	PC.
	2		257964-1	STOP RING E-3	1	PC.
115	1		5926002020	PUMP SPRING	1	PC.
	2		234183-6	CONICAL COMPRESSION SPRING 5-9	1	PC.
116	1		5246001010	O RING	1	PC.
	2		213538-8	O RING 2	1	PC.
117	1		5196002020	* JET	1	PC.
	2		5256065010	* JET - N/L/A	1	PC.
	3		326027-5	* JET	1	PC.
118	1		5926002040	PUMP GASKET	1	PC.
	2		442155-9	PUMP GASKET	1	PC.
119	1		5246001040	PUMP DIAPHRAGM	1	PC.
	2		168575-6	PUMP DIAPHRAGM	1	PC.
120	1		0561080010	HOSE CLAMP	1	PC.
	2		345918-1	HOSE CLAMP	1	PC.
121	1		5921500900	BREATHER PIPE	1	PC.
	2		422041-0	BREATHER PIPE	1	PC.
122	1		5933502100	PIPE	1	PC.
	2		422070-3	PIPE	1	PC.
123	1		5933001000	CLEANER PLATE ASSEMBLY	1	PC.
		INC.		Item No. 124-132		
	2		125468-0	CLEANER PLATE ASSEMBLY	1	PC.
		INC.		Item No. 124-132		
124	1		5923502200	CHOKE LEVER	1	PC.
	2		451925-5	CHOKE LEVER	1	PC.
125	1		0240159990	O RING P15	1	PC.
	2		213540-1	O RING 15	1	PC.
126	1		5933005000	AIR CLEANER PLATE COMPLETE	1	PC.
	2		140814-6	AIR CLEANER PLATE COMPLETE	1	PC.
127	1		5923502400	CHECK VALVE - N/L/A	1	PC.
	2		424316-3	CHECK VALVE	1	PC.

Item No	Type	Sub	Part No.	Description	Qty	Unit
128	1		0240139970	O RING P14	1	PC.
	2		213539-6	O RING 14	1	PC.
129	1		5923502500	CHECK VALVE PLATE	1	PC.
	2		451924-7	CHECK VALVE PLATE	1	PC.
130	1		5316500701	CHECK VALVE	1	PC.
	2		424315-5	CHECK VALVE	1	PC.
131	1		5923503500	GASKET SEPARATOR	1	PC.
	2		168577-2	SEPARATOR GASKET	1	PC.
132	1		5933501600	SEPARATOR PLATE	1	PC.
	2		168576-4	SEPARATOR PLATE	1	PC.
133	1		5933500900	AIR CLEANER ELEMENT - N/L/A	1	PC.
	2		443140-5	AIR CLEANER ELEMENT	1	PC.
134	1		5933501200	AIR CLEANER ELEMENT	1	PC.
	2		443141-3	AIR CLEANER ELEMENT	1	PC.
135	1		5933500800	AIR CLEANER COVER - N/L/A	1	PC.
	2		450561-4	AIR CLEANER COVER	1	PC.
136	1		0140059480	SCREW ASS'Y M5X14 - N/L/A	1	PC.
	2		266470-5	+PAN HEAD SCREW M5X14 - N/A	1	PC.
	3		911218-7	PAN HEAD SCREW M5X14	1	PC.
137	1		5923503100	SCREW M5X68 (WSW SUS)	2	PC.
	2		265188-5	+PAN HEAD SCREW M5X68	2	PC.
138	1		5923502600	PLATE	1	PC.
	2		345919-9	PLATE	1	PC.
139	1		0213069990	GASKET	1	PC.
	2		423376-2	GASKET	1	PC.
140	1		5923502301	CHOKE PLATE	1	PC.
	2		450560-6	CHOKE PLATE	1	PC.
141	1		0119059520	SOCKET HEAD BOLT M5X40	2	PC.
	2		266440-4	HEX SOCKET HEAD BOLT M5X40	2	PC.
142	1		5923014000	* EXHAUST MUFFLER - N/L/A	1	PC.
		INC.		* Item No.143		
	2		5923014001	* EXHAUST MUFFLER	1	PC.
		INC.		* Item No.143		
	3		168643-5	* EXHAUST MUFFLER	1	PC.
		INC.		* Item No.143		
143	1		5923008010	* SPARK ARRESTER	1	PC.
	2		5923008011	* SPARK ARRESTER	1	PC.
	3		324980-9	* SPARK ARRESTER	1	PC.
144	1		5923504300	MUFFLER GASKET	1	PC.
	2		168593-4	MUFFLER GASKET	1	PC.
145	1		5927010000	WIER 1 - N/L/A	1	PC.
	2		638709-0	LEAD WIRE	1	PC.
146	1		5927011000	WIRE 2	1	PC.
	2		638710-5	LEAD WIRE	1	PC.
147	1		5927500100	PLUG CAP	1	PC.
	2		424105-6	PLUG CAP	1	PC.
148	1		0654009931	PLUG CAP SPRING - N/L/A	1	PC.
	2		324891-8	PLUG CAP SPRING	1	PC.
149	1		5927012010	IGNITION COIL	1	PC.
	2		5927012011	IGNITION COIL	1	PC.
	3		168501-5	IGNITION COIL	1	PC.
150	1		0043704200	* SCREW ASS'Y M4X20	2	PC.
	2		0119049970	* SOCKET HEAD BOLT M4X20	2	PC.
	3		922138-0	* H.S.H.BOLT M4X20 WITH WR	2	PC.
151	1		0130069940	BOLT ASSEMBLY M6X16(WSW) - N/L/A	1	PC.
	2		265577-4	HEX HEAD BOLT M6X16	1	PC.
152	1		5927500200	FLYWHEEL	1	PC.
	2		318702-7	FLYWHEEL	1	PC.

<b>Item No</b>	<b>Type</b>	<b>Sub</b>	<b>Part No.</b>	<b>Description</b>	<b>Qty</b>	<b>Unit</b>
156	1		5923504600	* INTAKE PIPE - N/L/A	1	PC.
	2		324961-3	* INTAKE PIPE	1	PC.
157	1		0062610101	* O RING - N/L/A	1	PC.
	2		213078-6	* O RING 10	1	PC.
160			810584-8	CAUTION PLATE (Added)	1	PC.
<b><u>ACCESSORIES</u></b>			<b>- See catalogue or visit <a href="http://www.makita.ca">www.makita.ca</a> for more accessories information -</b>			
A01	1		0650109950	SPARK PLUG CMR6A	1	PC.
	2		168401-9	SPARK PLUG	1	PC.
A02	1		5925001050	STARTER ROPE	1	PC.
	2		444019-3	STARTER ROPE	1	PC.
A03	1		6659500900	PIPE - N/L/A	1	PC.
	2		6659504000	PIPE	1	PC.
	3		450965-0	PIPE > NOZZLE	1	PC.
	4		450965-0	NOZZLE	1	PC.
A04	1		6659501000	END PIPE	1	PC.
	2		450966-8	END PIPE > NOZZLE END	1	PC.
	3		450966-8	NOZZLE END	1	PC.
A05	1		6909059000	TOOL	1	PC.
	2		194717-6	BOX WRENCH SET	1	PC.

## SERVICE CHANGES

### 1. Changes on Cylinder Block Set, Insulator Complete, Insulator Gasket, etc.

(T/I# Y05062)

(T/I# Y05396, 88468)

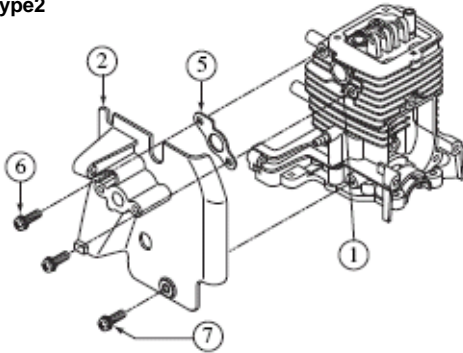
(T/I# Y05865)

Item No.	Description	Type 1	Type 2	Type 3	Type 4	Type 5	Image No.
43	Cylinder Block Set	5921011000	5921011001	5921011002		125914-3	1
97	Insulator Complete	5923013000		5923018000		125916-9	2
156	Intake Pipe	-----		5923504600		324961-3	3
157	O Ring	-----		0062610101	213078-6	213078-6	4
96	Insulator Gasket	5923501801		5923504700		413120-5	5
99	Scrwe Assy M5x18	0043605180		0119059870		922228-9	6
101	Scrwe Assy M5x14	0043605140		0119059780		922213-2	7

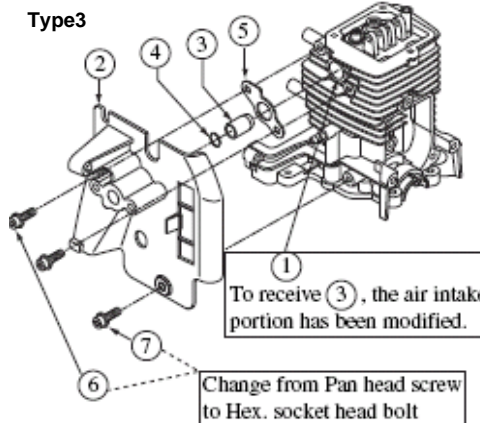
Type 1 - 4 parts are completely interchangeable as a set.

Type 2 parts remain available.

#### Type2



#### Type3



### 2. Changes on Carburetor

Item No.	Description	Type 1	Type 2
102	Carburetor	5926022000	5926022001
103	Pump body assy	5926002060	5936025010
106	Metering Diaphragm	5926008010	5266009010
117	Jet	5196002020	5256065010

Above parts are completely interchangeable as a set.

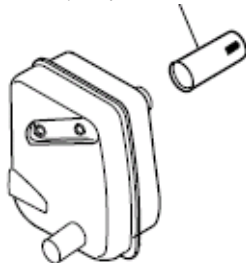
(T/I# Y05523)

### 3. Changes on Exhaust Muffler

Item No.	Description	Type 1	Type 2	Type 3
142	Exhaust Muffler	5923014000	5923014001	168643-5
143	Spark Arrester	5923008010	5923008011	324980-9

TYPE 1 & TYPE 2 parts are completely interchangeable as a set. (T/I# Y04664)

Item 143 Type 1  
(component of Item 142 Type1)



Type1

Item 143 Type 2  
(component of Item 142 Type2)



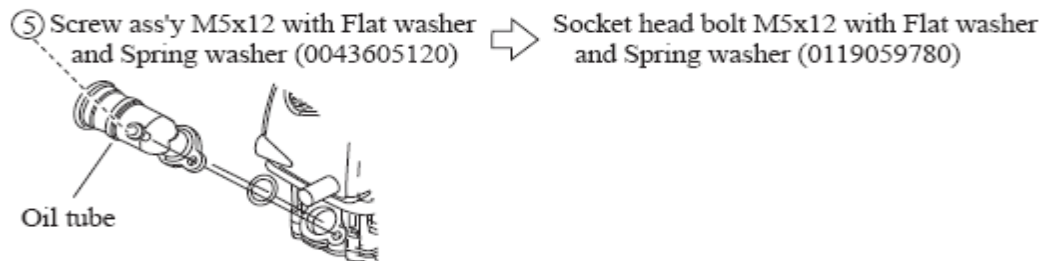
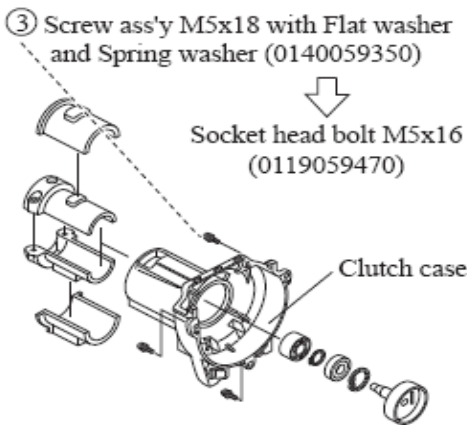
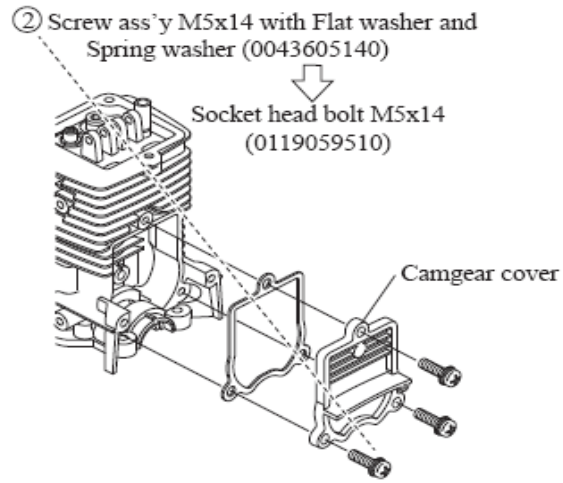
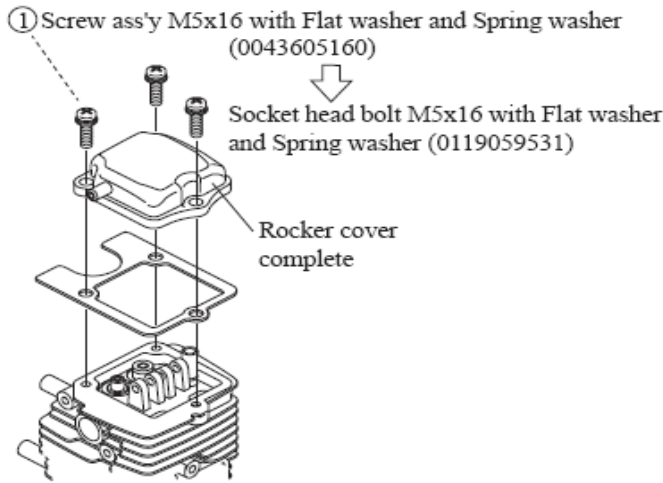
Type 2

**SERVICE CHANGES**

**4. Changes on Screw Assy > Socke Head Bolt**

Item No.	Description	Type 1	Type 2	Image No.
39	Screw Assy /S.H.Bolt	004-36051-60	0119059531	1
51	Screw Assy /S.H.Bolt	0043605140	0119059510	2
150	Screw Assy /S.H.Bolt	0043704200	0119049970	3
53	Screw Assy /S.H.Bolt	004-36051-20	0119059780	5

(T/I# Y05610)



**5. Changes on TUBE, FUEL TANK**

(T/I# Y05865) (T/I# Y06188) (T/I# 96710)

Item No.	Description	Type 1	Type 2	Type 3	Type 4
32	TUBE / TUBE COM.	0851189950	158911-4 - N/A		168772-4
37	FUEL TANK	6653500000	450988-8 - N/A	450987-0	454006-4

TYPE 4 parts are completely interchangeable as a set.

**SERVICE NOTE:**

Type 4 parts are fluorinated.

Type 1 - 3 Parts can only used for the model manufactured before 2011.